

# THE COMPASS



THE OFFICIAL NEWSLETTER OF THE GREAT SOUTH BAY AMATEUR RADIO CLUB

VOLUME 32 ISSUE 7

“..serving the community through Public Service.”

July, 2004

## GSBARC 2004 OFFICERS

President: Walter Wenzel, KA2RGI  
Vice Pres: David Wandell, N2UHR  
Treasurer: Tom Carrubba, KA2D  
Corr. Sec.: Scott Verity, KC2FBV  
Rec. Sec.: Steve Schwenker, K2JY  
Dir. 2004: Charles Rousselet, N2MZK  
Dir. 2004: Jay Eichner, N2PIK  
Dir. 2005: Dom Stengele, WA2UJI  
Dir. 2005: Robert Smithline, N0UH

## Upcoming GSBARC Events

### Board Meeting – 2<sup>nd</sup> Thursday 8:00 PM

July 8

Aug 12

Sept 9

### VE Session – 4<sup>th</sup> Sunday 12:00 PM

July 25

Aug 22

Sept 26

### General Meeting – Last Thur. 8:00PM

July 29

Aug 26

Sept 30

### Open House 12:00 – 2:00PM

Every Saturday @ Town Hall EOC

## NETS

### Newsline Report -

Monday 7:00 PM 146.685/R

### Club Info Net -

Monday 7:30 PM 146.685/R

### DX/Contest Info -

Monday 8:00 PM 146.685/R

### TOBARES Net -

Monday 8:15 PM 146.685/R

### Swap ‘n Shop Net -

Tuesday 7:30 PM 146.685/R

### 10 M Net -

Tuesday 8:00 PM 28.320

## REPEATERS

**2 M** 146.685/146.085 PL 110.9  
**1 1/2 M** 223.860/222.260 PL 131.8  
**70 CM** 440.850/445.850 PL 114.8

## President's Message

By Walter, KA2RGI

### Vacancies

We have some positions that have to be filled within the club due to a couple of people stepping down because of person circumstances.

We have the position of Recording Secretary open because Steve, K2JY stepped down:

In the May 28<sup>th</sup> General Meeting it was announced that the position was open and that Margaret Mielko, KB2IDZ stepped forward to be considered to fulfill the responsibilities of the position. Is there anyone else wishing to fulfill the position? Margaret will step into the position temporarily until we have the official election as per the GSBARC Constitution.

We also have the position of Director 2005 as per this recent email from Rob, N0UH:

Sent: Thu 7/1/04

Please let this serve as notice that I will be unable to fulfill my obligations as a member of the board of GSBARC. I will be moving out of state. Please understand that I feel that I can no longer do my job.

Sorry that I have to do this and I hope to be in the meeting tonight.

Robert Smithline, n0uh

What follows below is the process from the CONSTITUTION OF THE GREAT SOUTH BAY AMATEUR RADIO CLUB on filling vacancies in club officers.

Sec. 3 - Vacancies occurring in the office of the President shall be filled by the Vice-President for the duration of the term of the elected term. A vacancy in the office of the Vice-President shall be filled by the Governing Board of the club at the next Executive Meeting or as soon after as circumstances permit. Vacancies in all other positions occurring between elections shall be filled by special elections, with recommendations presented to the membership, by the remaining Governing Board. Special Elections shall occur at the first regular General Meeting or as soon after as circumstances permit following the withdrawal or resignation of a member of the Governing Board.

Well that about raps up what has to be said about the open vacancies on the board.

With Rob's leaving I am also looking for someone to handle the Club's Apparel. Is there anyone interested in the appointment?

### Field Day 2004

Congratulations to everyone for another good job with Field Day. Many thanks to Joe and the crew on Saturday for setting things up. This was the first Field Day setup I had to miss because of work. I sure was different getting to the site after 4 PM and having everything already setup. Now is the time to let Joe know what you thought about the event and what you would like to see happen for next year. Joe already has heard some suggestions for next year and is looking forward to working on them for next year. One thing I know is we need your assistance and input to improve for next year, so be part of the fun and the excitement and share in Field Day, 2005.

## Happy Birthday

Ken K, WB2ART  
Barbara O, KC2JNX  
Tom H, N2KQI  
Fred K, K2LDC  
Charlie G, N2PJF  
Bud E, WA2QAV  
John P, KA2UJP  
William M, KA2YMM

If your birthday is not listed we may not have all the info in our database



## GREAT SOUTH BAY AMATEUR RADIO CLUB MINUTES OF EXECUTIVE BOARD MEETING

BABYLON TOWN HALL EOC, LINDENHURST, NY

Thursday May 14, 2004

Meeting called to order by Walter, KA2RGI at 8:00 PM

### BOARD MEMBERS PRESENT:

President	KA2RGI	Walter Wenzel
Vice President	N2UHR	David Wandell
Director 2004	N2MZK	Charles Rousselet
Director 2004	N2PIK	Jay Eichner
Director 2005	WA2UJI	Dom Stengele

### BOARD MEMBERS NOT PRESENT:

Treasurer	KA2D	Tom Carrubba
Rec Secretary	*****	Position Open
Corr Secretary	KC2FBV	Scott Verity
Director 2005	N0UH	Robert Smithline

### OTHER CLUB MEMBERS PRESENT:

KC2TCH; N2MIG

### PREVIOUS MINUTES:

 Recording Secretary - Steve, K2JY

Minutes were accepted as published in Compass. It was forwarded to the membership that Steve, K2JY was stepping down from the position as Recording Secretary because of work commitments that were prohibiting his attendance at the meetings. The executive board is soliciting the membership for someone who would like to step in and fulfill the requirements of the position for the rest of his term.

### CORRESPONDENCE REPORT:

 Corresponding Secretary - Scott, KC2FBV

**Hamfest announcement** for the Bergen ARA Hamfest for May 29, 2004

2 returned GSBARC Hamfest flyers

Scott reported he sent out information about May Hamfest to local papers and such.

### TREASURER'S REPORT:

 Treasurer - Tom, KA2D

Motion to approve the GSBARC 2004 Budget was presented by Joe, N2IMF and was seconded by John, KA2YMQ and Charles, N2MZK. Motion was passed unanimously.

Checking	2136.26
CD:	<u>2800.16</u>
Total:	4936.42

### COMMITTEE REPORTS:

#### APPERAL: Chairperson – Rob, N0UH

New order going into supplier for t-shirts so we would have shirts for all sizes on hand.

Also putting in order for more caps since there is only one left. Looking for cost of patches since some members have requested information about patches. Golf shirt order is also going in for: Adam, KB2TCH; Ken, KC2KXA; and Pete, N2GBM.

#### CLUB STATION AND EQUIPMENT: Chairperson – Walter, KA2RGI

A motion was presented by Frank, K2LI to purchase Bud, WA2QAV's TS-570 for the club to own as another radio it would have for Field Day and Special Event Operations for \$500.00. The radio was previously owned by Rich, AC2P. The radio also has the voice chip in it. The motion was seconded by Rich, KA2VKD. A vote was taken and the motion was passed with a majority in favor, no negative votes and 1 abstention. It was also mentioned and approved that the club should purchase a Kenwood MC-60 desk microphone for the radio so it would match the unit already owned by the club and it would also be easier to operate. Need someone to move donated trailer from where it is stored before we lose it. Will get in contact with John, KC2HCB and alert him of the status.

**DX & CONTESTING:** Chairperson – Tom, KA2D  
K2TV mentioned the WPX SSB Contest is this weekend and reminded the members that K1EA now has CT for Windows as a free download for those who would like it to keep track of their records. He also reminded those that wanted to, to forward their logs as club participants for the contest.

**DX CLUSTER:** Chairperson – Tom, KA2D  
Cluster-up and running and nothing new to report.

**EDUCATION:** Chairperson – Walter, KA2RGI  
Morse code classes are continuing at Walter's new shop, 421 Broadway, West Babylon at 3:30 PM Saturdays. There is no fee for the classes. Classes will be ending in May.

Extra Classes are completed. There were 6 people attending the classes.

The next scheduled class is a Tech Class that will start after Labor Day. There is no fee for the classes. If anyone is interested they can attend any of the classes. Have not heard from anyone else about any computer basic classes or any kit building classes. We will have more information on those classes later.

Does anyone have an interest in start a special interest group on any thing pertaining to amateur radio? If you do contact Walter to see what can be arranged.

**LIBRARY:** Chairperson – Dom, WA2UJI  
WA2UJI some Monitoring Times magazines (Scanner Mags) to the library.

**MEMBERSHIP:** Chairperson – Tom, KA2D  
103 members total. 80 Full, 13 Family, 4 ARRL, 6 Complimentary.

**NETS:**  
We are looking for anyone that would be interested in helping out with the club info net on Monday nights. Back up control operators would be helpful. If you are interested, let us know and we will provide you with the standard script used for the net. The Tuesday night ten meter net and the swap and shop net would always appreciate more check ins.

**Newsline Report:** NCS – Dave, N2UHR Nothing new to report.

**2 m Net:** NCS – Dave, N2UHR Nothing new to report.

**Swap n Shop:** NCS – Bud, WA2QAV will not be able to handle the net for the next few weeks.

Joe, N2IMF will step in.

**10 m Net:** NCS – Brian, N2NGE Nothing new to report.

**NEWSLETTER – COMPASS:** Chairperson – Gene, N2TZX  
Need additions articles for the Newsletter. Keep those ideas coming. Deadline for submissions is the Saturday after the Executive Meeting.

**REPEATERS:** Chairperson – Walter, KA2RGI  
We will ordering the updated board for the controller by the next meeting for the 2m machine.  
We will also be purchasing the isolator for the 2m repeater as previously authorized also.  
440 repeater is having issues passing audio and will be looked at by the committee soon  
220 repeater also having audio issues and we are looking for an alternative to maintaining the current 220 system.

**SPECIAL EVENTS:**

**Field Day:** Chairpersons – Position Open  
June 26-27 - We are looking for field coordinators to help with getting ready for field day. Any help would be appreciated.

**Hamfest:** Chairperson – Walter, KA2RGI  
The hamfest will be held rain or shine on May 23, at the Massapequa Sunrise Mall, starting at 8 am and will end at 12 noon. Any help would be appreciated.

**Air Power Museum:** Chairperson – Bud, WA2QAV  
The event we had two years ago was on June 8-9. Bud will be contacting the persons in charge of the APM to if any special events are scheduled that will work together for a special event station for later this year.

**International Lighthouse Weekend:** Chairperson – Tom, KA2D

August 21-22 9AM-5PM Fire Island Lighthouse -  
Updated information about the event was forward to the Fire Island Newsletter and events calendar.

**Club Picnic:** Chairperson – Walter, KA2RGI  
August 28 11AM-5PM Town Hall Park - Nothing to Report

**End of the Year Party:** Chairperson – Walter, KA2RGI  
Nothing to Report

**VE SESSIONS:** ARRL Liaison – Tom, KA2D  
The next VE session is May 23 at EOC.

**WEBSITE - HOME PAGE:** Chairperson – Tom, KA2D  
Up and running, nothing new to report

**SPECIAL COMMITTEES:**

**Antenna Committee:** Chairperson – Open Position  
Some work was done recently on Joe, N2IMF's antenna. If anyone needs antenna work or assistance let us know.

**Open House:** Chairpersons – Dave, N2UHR  
Nothing new to report

**Public Relations:** Chairperson – Walter, KA2RGI  
Information about the upcoming hamfest and the fire island event were sent out.

**Technical Committee:** Chairperson – Walter, KA2RGI  
If anyone is interested in joining the committee see Walter.

**ARES/RACES:** EC/RO – Walter, KA2RGI  
ARES cards are available at the TOBARES meeting.  
May 17 – Skywarn Basic Training Class – Southold  
May 19 – Skywarn Basic Training Class – Hauppauge  
May 26 – Skywarn Advanced Training Class – Centereach (Radio Central ARC Mtg.)  
June 5-6 – Good Samaritan Hospital 24 Hr. Hospice Walk – West Islip High School  
June 23<sup>rd</sup> Gen Mtg is Field Day Prep Meeting  
June 26-27 is Field Day.  
The full calendar of events on the [www.tobares.org](http://www.tobares.org) website.

**GUEST SPEAKERS & PROGRAMS:** Chairperson – Dave, N2UHR  
No speaker is scheduled.

**HEALTH AND WELFARE:** Chairperson – Scott, KC2FBV  
Nothing new to report.

**OLD BUSINESS:**  
No old business was brought up.

**NEW BUSINESS:**  
No new business was brought up.

**MOTION TO ADJOURN:**  
Meeting was adjourned at 8:45 PM

Respectfully submitted by  
Walter Wenzel, KA2RGI for

Recording Secretary

(These minutes were missing from last months Compass)

## GREAT SOUTH BAY AMATEUR RADIO CLUB

### MINUTES OF GENERAL MEETING BABYLON TOWN HALL EOC, LINDENHURST, NY Thursday June 24, 2004

Meeting comes to order at 8:08 pm

#### **BOARD MEMBERS PRESENT:**

President	KA2RGI	Walter Wenzel
Corr Secretary	KC2FBV	Scott Verity
Director 2004	N2MZK	Charles Rousselet
Director 2004	N2PIK	Jay Eichner
Director 2005	WA2UJI	Dom Stengele

#### **BOARD MEMBERS NOT PRESENT:**

Vice President	N2UHR	David Wandell
Treasurer	KA2D	Tom Carrubba
Rec Secretary	*****	Position Open
Director 2005	N0UH	Robert Smithline

#### **PREVIOUS MINUTES:**

Not published in Compass because it was not done.  
Will be a late issue.

#### **CORRESPONDENCE REPORT:**

No correspondence has been received.

#### **TREASURER'S REPORT:** TREASURER - TOM, KA2D NO TREASURERS REPORT

**APPERAL:** Chairperson – Rob, N0UH  
Club Apparel should be ready by field day

**CLUB STATION AND EQUIPMENT:** Chairperson –  
Walter, KA2RGI  
Club station and equipment will be ready and working for  
field day.

**DX & CONTESTING:** Chairperson – Tom, KA2D  
DX Contesting No report  
Education Nothing running at this time

**EDUCATION:** Chairperson – Walter, KA2RGI  
Next class starting will be starting after Labor Day  
Next General and Extra class will start after Jan  
**Club Picnic:** Chairperson – Walter, KA2RGI  
August 28 11AM-5PM Town Hall Park - Nothing to Report

**LIBRARY:** Chairperson – Dom, WA2UJI  
nothing new to report

**MEMBERSHIP:** Chairperson – Tom, KA2D  
105 members

**NETS:**  
nets are running fine  
Swap and Shop Net will go in Hiatus for the summer

**REPEATERS:** Chairperson – Walter, KA2RGI  
No change. The 2meter repeater has the sensitization is  
back. It will be worked on after cleanup on Sunday after  
field day.

#### **SPECIAL EVENTS:**

**Field Day:** Chairpersons – Joe, N2IMF  
We should be running 5 foxtrot Field Day 6/26 & 6/27  
**Air Power Museum:** Chairperson – Bud, WA2QAV  
Still talking about a date that is good for all.  
**International Lighthouse Weekend:** Chairperson –  
Tom, KA2D Aug 21<sup>st</sup> and 22<sup>nd</sup>  
Operating from Fire Island Lighthouse.  
**Club Picnic:** Chairperson – Walter, KA2RGI  
August 28 11AM-5PM Town Hall Park  
**Block Party:**  
August 7<sup>th</sup> is a block party at the home of KA2RGI.  
The whole club is invited. From 11 am to 10 pm.

**VE SESSIONS:** ARRL Liaison – Tom, KA2D  
No VE session in the month of June.

#### **SPECIAL COMMITTEES:**

**Antenna Committee:** Chairperson – Open Position  
Help is needed for help for N2MIG and K2LI and  
KA2LDC, also N2FIS needs an antenna to  
come down.  
**Open House:** Chairpersons – Dave, N2UHR  
to be suspended for the summer.  
**ARES/RACES:** EC/RO – Walter, KA2RGI  
nothing new to report.

**HEALTH AND WELFARE:** Chairperson – Scott, KC2FBV  
We wish Dave N2UHR a speedy recovery. He is home  
and feeling better.

Glad to see Tom N2MIG is doing fine from knee surgery  
and looking good at the meeting.

#### **OLD BUSINESS:**

On the trailer that we have obtained...it comes up to  
about \$1200 to fix it for the supports for the tower. This  
will be tabled to another time.

#### **NEW BUSINESS:**

No new business was brought up.

Take a break at 9:15

Returned to meeting at 9:30

Turning the meeting over to Joe to discuss field day  
Asking those who will be able to help to show up about 7  
am.  
A discussion took place on how things should be set up  
and queries on what else needs to be done and who  
would like to volunteer with different set ups.

#### **MOTION TO ADJOURN:**

Meeting is adjourned at 10:10.

Margaret Mielko, KB2IDZ acting as  
Temporary Recording Secretary, GSBARC

Respectfully submitted by

The W2GSB FD 2004 report has been submitted to ARRL.  
An extra 50 bonus points was added when submission  
went through the web form. The supporting files  
(proof of bonus points claimed and dupe sheets) were  
sent via email. GSB received confirmation of both  
WEB Form and email submissions.

The final score is  
2156 QSO points 803 CW, 272 SSB 950 Bonus points  
=====

3106 Final score

ARRL Field Day Entry Form  
Date stamp: 2004-07-07 05:25:07  
Confirmation: 292eed254bf50a90

Call Used: W2GSB  
GOTA Station Call: (none)  
ARRL/RAC Section: NLI Class: 3F  
Participants: 31  
Club/Group Name:  
Great South Bay ARC/ Town of Babylon  
ARES/RACES  
Power Source(s): Generator, Battery, Solar  
Power Multiplier: 2X  
Bonus Points:  
100% Emergency power 300  
Media Publicity 100  
Set-up in Public Place 100  
Information Booth 100  
W1AW Field Day Message 100  
Natural power QSOs completed 100  
Site Visit by invited served agency official 100  
Submitted via the Web 50  
Total Bonus Points 950

Score Summary:

	CW	Digital	Phone	Total
Total QSOs	403	0	272	
Total Points	806	0	272	1078
Claimed Score =				2,156

Submitted by:

Thomas Carrubba, KA2D  
Great South Bay ARC  
PO Box 1356  
WEST BABYLON, NY 11704  
E-mail: info@gsbarc.org

Band/Mode QSO Breakdown:

	CW		Digital		Phone	
	QSOs	Pwr(W)	QSOs	Pwr(W)	QSOs	Pwr(W)
160m						
80m	143	100			189	100
40m	164	100			49	100
20m	96	100			28	100
15m						
10m					6	100
6m						
2m						
1.25						
Other						
Satellite						
GOTA						
TOTAL	403		0		272	

Supporting documentation for Bonus Points will be  
sent via e-mail to: fieldday@arrl.org

CU -Tom KA2D

## Tune your antenna for better DX

by Roy A. Walton  
(adapted by Bruce Carter)

**Almost any receiver** covering 540 kHz to 1600 kHz is suitable for broadcast band DX'ing, and there are a lot of them.

But the antenna is another matter.

If you are new to the hobby, or if you have been having trouble DX'ing those really difficult stations, you may find the answer to your reception problems in a properly constructed long-wire antenna - and the "Pi-section Coupler".

**Normally, the best receiving antenna** is considered to be a resonant antenna - one that resonates at a particular frequency. The length of such a BCB antenna would range between 865 and 290 feet - much too long for the space most listeners have available. That's the big problem.

The solution is to build the long-wire "Pi-section Coupler" and get the maximum signal transfer out of the antenna you have erected.

If you use a "Pi-Section Coupler", your antenna can be as short as 30 feet or as long as 100 feet. The combination can be made to work efficiently at all frequencies between 500 and 6800 kHz.

**The Antenna Construction** of a long-wire antenna is simple. If you just remember and adhere to the following rules of safety. Never construct your antenna so that it could fall on power lines or they on it. Always use a lightning arrestor; this not only can save you equipment but may improve the signal, since it drains static electricity from the antenna. Never use wire or metal cable to support the antenna (1/4" nylon line is your best bet).

A long-wire antenna receives best from the directions perpendicular to its sides. Erect the antenna N-S to receive E-W. It should be at least 30' long and made of multi-strand copper antenna wire supported a *minimum* of 15 feet off the ground. A long-wire antenna works best 60 feet above electrical ground (40 to 50 feet above land surface). Egg-type insulators should be used to physically connect the antenna to the supports. To prolong the life of the antenna, coat all solder connections with plastic rubber.

**Bringing the signal from the antenna** to the receiver calls for the use of insulated copper wire of 16 to 18 gauge. It should be wrapped (to afford mechanical strength) and soldered to the end of the antenna at the insulator closest to the receiver.

The proper feed line entrance into a house is through a wall using an "All weather wall feed thru bushing" or a similar tubing. Of you can't drill holes in the house, try drilling a 1/4" hole in a window sash, inserting a 1/4" o/d 1" length of bakerlight tubing into the hole, and sealing the hole with a non-conducting caulking compound.

The lightning arrestor should be wired into the feed line according to the manufacturer's directions, which are packed with the arrestor. Lightning arrestors can be bought for as little as 59 cents.

Terminal "G" or "ground" on the receiver should be connected to a good ground. A good ground is a cold water pipe (never use hot water pipes, gas pipes, or the telephone company's ground). Clean the cold water pipe with emory cloth at the point where you wish to place a "ground clamp" (clamps cost approximately 50 cents). Secure the clamp tightly and affix a length of 16-gauge insulated wire sufficiently long to go to "ground" on the receiver. Then coat the ground clamp connections with rubber glue.

### Building the Coupler

If you have never built electronic gear before - don't despair - you can build this coupler. Not only will you greatly increase the incoming signal, but you will also gain experience in apparatus construction. The only prerequisites are reading, soldering, and about \$6.00.

The author assembled his coupler in a clear box. In selecting a box, make sure it is large enough to accept the components. Mark and drill mounting and rotor shaft holes in the box for C1, C2, S1, S2, J1, and J2 (see *figure below*).

**Start making up the coil** by drilling two holes in the coil form to pass the coil wire. Insert wire through these holes, leaving 4" extra wire protruding (which will be used for hookup later). The holes are intended to hold the wire secure during the winding operation.

**Wind tightly two turns** of coil wire and drill a hole adjacent to the second turn to press-fit a brass nail, used as a lug. Scrape the wire adjacent to the lug hole (this is lug #1), and solder to the coil.

**Wind four more turns**, drill another adjacent lug hole (this is lug #2), and solder. Proceed in this manner, winding the specified number of turns as shown in Figure 1 until the coil is complete. Secure the coil winding through two more holes, leaving 4" extra wire protruding.

**Now cut** 11 5" lengths of hookup wire and strip 1/4" insulation from one end of each. Solder them to the terminals of SW1, leaving one terminal bare. The bare terminal is #0. The terminal next to #0 is #1, the one next to it is #2, and so on, around the switch. Remember that lug #1 is on the coil end with only 2 turns. Cut the wires soldered to the switch terminals so that they will just reach the corresponding lugs when the switch is one inch from the coil. Strip 1/4" of insulation from these wires and solder them to their corresponding lugs on L1.

**The outer conductors** of J1 and J2 are "ground," as are the terminals associated with the rotor plates in the capacitors. Solder the necessary wires to the proper points to connect the remaining components. Then connect the receiver to J1 and the antenna to J2 using a coax cable.

### Using the coupler

To operate the coupler, set C1 and C2 at the half-open position and rotate S1 until the signal is strongest. Adjust C1 and C2 to peak the signal to maximum (while adjusting C1, switch S2 on and off to find its best setting; C2 will have no appreciable effect at some frequencies).

**The coupler is basically** an attempt to effect a more efficient transfer of signal energy from the random length of antenna to the receiver. At some frequencies the coupler will seemingly have no effect, which means the antenna and receiver are matched as closely as possible. At other - or most - frequencies the coupler will have a very decided and noticeable effect. Capacitor C2 would be switched in and out of the circuit when the coupler seems to have the least effect - especially at lower frequencies.

The dial settings should be logged to simplify re-tuning.

### Editorial notes

I have several comments about this excellent article. Also, in the years since this article was published, several things have changed:

Unfortunately, the number of coil turns on the original schematic was obscured incompetent Xeroxing. I had enough information to make a pretty good guess in most cases.

And note that the prices listed have changed during the years.

Coil forms such as the 1 3/4 inch form described here have disappeared along with electronics hobbyist shops. An length of empty tubing from Christmas wrapping paper might be found that is 1 3/4 inches in diameter. It will not be very strong, but may suffice. A far superior core can be made from a length of PVC plumbing pipe (but what do you do with the other 7 1/2 feet?). Some changes in assembly technique might be required, because I don't think it can stand up to soldering temperatures.

It may be next to impossible to get a 250 pF variable capacitor. Discarded two section tuning capacitors can be used, the larger section is 365 pF. The extra capacitance will make no difference, as you can just use 250 pF of the tuning range.

The AM band expansion to 1700 kHz should make no difference - as the coupler is usable to frequencies of 6800 kHz.

A good grounding clamp is a 1" hose clamp from an automotive parts store.

A cheap version of this coupler can be constructed using a discarded ferrite bar antenna and two tuning capacitors. The coil is tuned by moving the ferrite bar in and out. The tuning range will not be as great, however.

*(This article originally appeared in Popular Electronics, March, 1968, pp 53-55)*

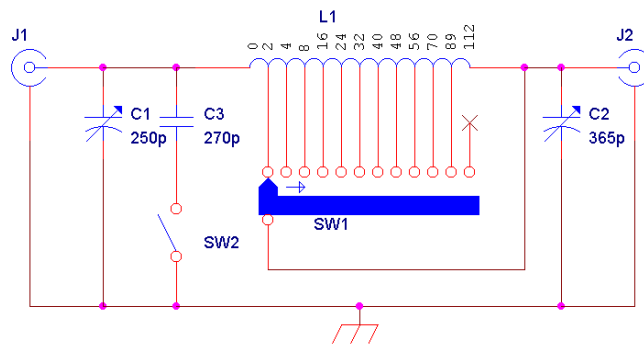


Figure 1. The coupler is particularly useful in matching erratic (sometimes high, sometimes low - as you tune various bands) impedance of a single wire antenna.

### PARTS LIST

C1: 250 pF variable capacitor

C2: 365 pF variable capacitor

J1, J2: RCA phono jack

L1: 112 turns on 1 3/4" diameter, 4" long form, 18 gauge wire, tapped as described

S1: 1 pole, 12 position rotary switch

S2: spst switch

## GSBARC 2004 VE SCHEDULE

Jan 18 *HRU 2004 Glen Cove – 3 PM*  
Feb 22 Babylon Town Hall EOC – 12 Noon  
March 28 Babylon Town Hall EOC – 12 Noon  
Apr 25 Babylon Town Hall EOC – 12 Noon  
May 27 Babylon Town Hall EOC – 12 Noon  
June *NO VE - Field Day -6/26-6/27Babylon Town Hall*  
July 25 Babylon Town Hall EOC – 12 Noon  
Aug 22 Babylon Town Hall EOC – 12 Noon  
Sept 26 Babylon Town Hall EOC – 12 Noon  
Oct 24 Babylon Town Hall EOC – 12 Noon  
Nov 28 Babylon Town Hall EOC – 12 Noon  
December *NO VE - Season's Greetings*

## COMMITTEE CHAIRPERSONS

**Club Apparel** – \*\*\*\* OPEN \*\*\*\*  
**Club Station/Equip** – Walter, KA2RGI  
**DX/Contesting** – Tom, KA2D  
**Education** – Walter, KA2RGI  
**Hamfest** – Walter, KA2RGI  
**Library** – Dom, WA2UJI  
**Membership** – Tom, KA2D  
**Newsletter** – Gene, KB2TXZ  
**Home Page** – Tom, KA2D  
**DX Cluster** – Tom, KA2D  
**Repeaters** – Walter, KA2RGI  
**VE Sessions** – Tom, KA2D

## CLUB NET SCRIPTS

If anyone is interested in a copy of the basic 2 meter Monday night net script for GSBARC give Dave, N2UHR a call on w2gsb/r, home: 631-842-6340, or via email at: n2uhr@arrl.net , or contact Walter, KA2RGI, 631-957-0218, or via email at: ka2rgi@arrl.net.

'73 de Dave, N2UHR!

---

**Great South Bay ARC**  
**P.O. Box 1356**  
**West Babylon, NY 11704-0356**